

**SONY**

Hi-Fi Products  
**Service Bulletin**

Sony Service Company Technical Services  
A Division of Sony Corporation of America  
Sony Drive, Park Ridge, New Jersey 07656

**Model:** D-11

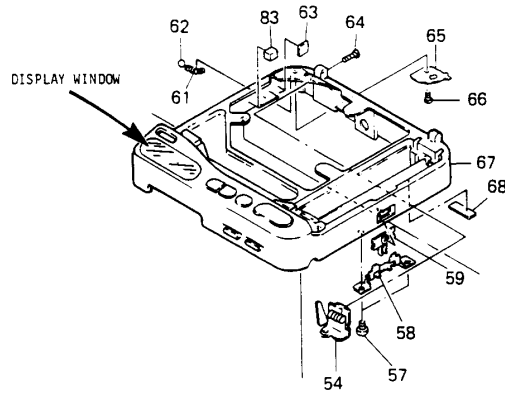
**No. 195**

**Subject:** Display Window not supplied with Top Cabinet Assy      **Date:** June 12, 1991  
Top Cabinet Assy

**Symptom:**  
(\*\*) The exploded view shown on Page 24 of the Service Manual shows the Display Window (no ref.) as part of the Top Cabinet Assy (Ref. No. 67). This is not the case.

**Solution:** The Display Window is separate from the Top Cabinet Assy and has the following Part Number:

Description	Part Number
Window (LCD)	4-938-830-01



CSA-13 Compact Disc Player